

Specification of: TEM 01-0225-23-19-J

High performance centrifugal fan Nicotra Gebhardt silentvent with external PREMIUM EFFICIENCY motor in efficiency class IE3 (IEC 60034-30)

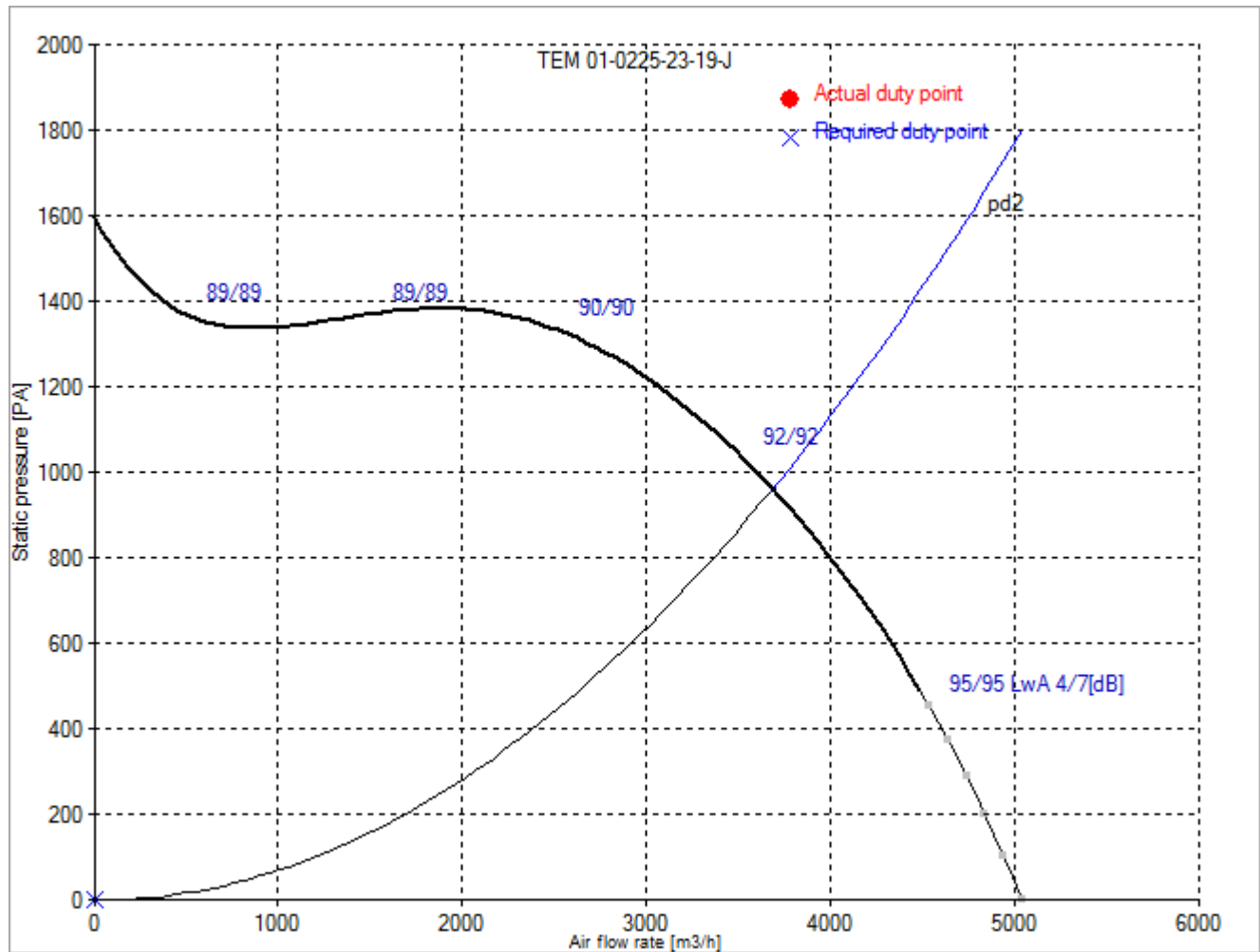
Single inlet with direct drive. Lap-jointed scroll housing made from galvanized steel sheet, without pedestal for vertical or horizontal mounting. Galvanized impeller with forward curved blades Motor B5, mounted outside the airstream. Impeller and shaft statically and dynamically balanced in accordance with DIN ISO 21940-11, completely maintenance free. The motor is equipped with PTC Thermistors as a standard. Three phase 400 V, 50 Hz, single speed.

Technical data of the fan: TEM 01-0225-23-19-J

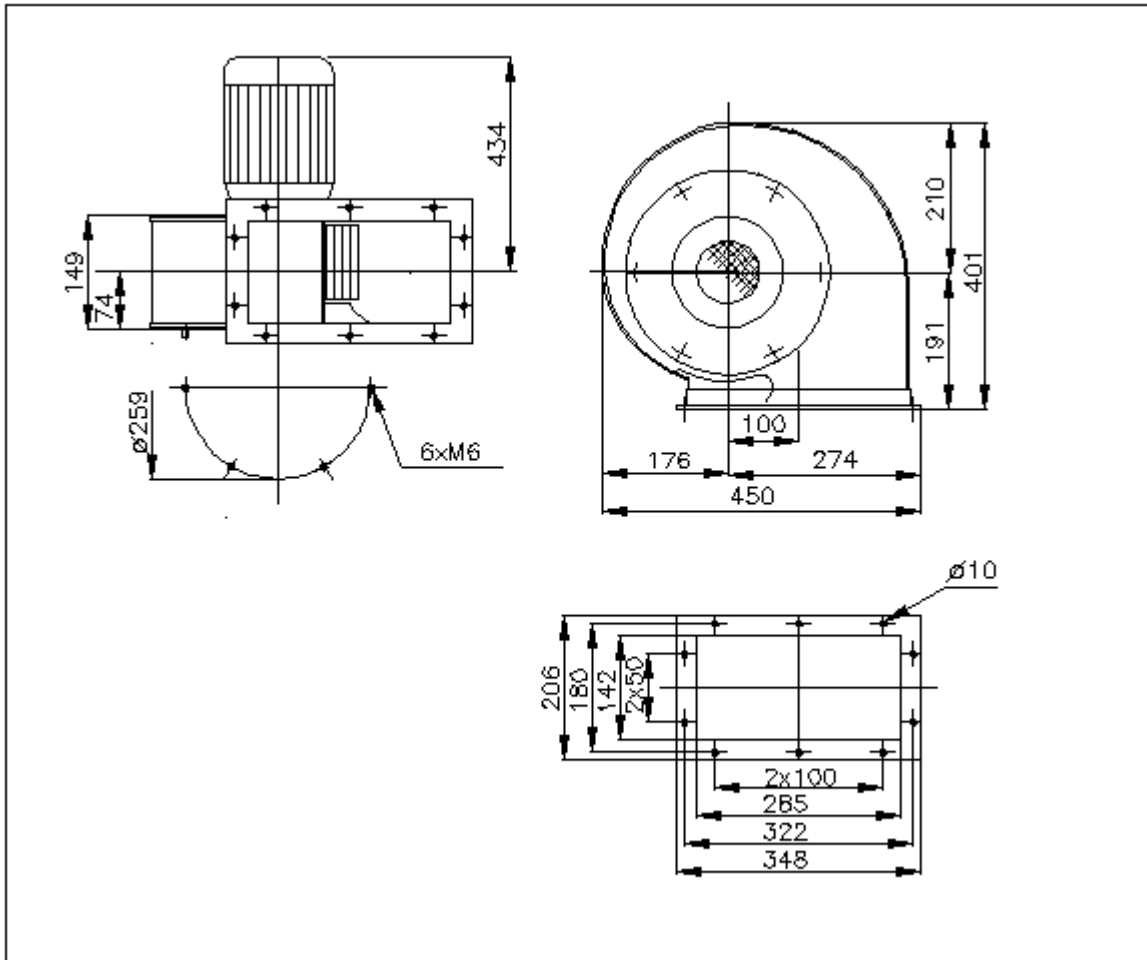
fulfills the ErP requirements 2015

Description	Value	Dimension
Specified duty point		
Actual duty point		
Installation acc. DIN 24163 Part 1		A
Reference density (Rho1)	1.20	kg/m ³
Medium temperature (t)	20	C
Fan weight	51	kg
Rated data		
Phases-Voltage-Frequency	3~400 D-50	V-Hz
Frame size-poles:	112M / IE3-2	
Motor rating (P _N)	4	kW
Rated motor speed (n _N)	2910	min ⁻¹
Rated motor current (I _N)	7,36	A
operational limits		
Temperature range of conveying medium (t _{min} ... t _{max})	-20...60	C
ErP-Data at best efficiency and density - kg/m³		
measurement- / efficiency category	B / total	
design status of VSD	without VSD	
overall efficiency (ETA _{opt})	50.6	%
achieved efficiency grade (N _{ist})	54.8	
required efficiency grade in 2013 / 2015 (N)	42 / 49	
Air flow rate (V _{opt})	2500	m ³ /h
pressure rise (dp _{opt})	1603	Pa
Fan speed (n _{vopt})	2970	min ⁻¹
motor power input (P _{1opt})	2.20	kW
specific ratio (d _{dpopt})	1.016	

Fan curve to TEM 01-0225-23-19-J



Dimensions to TEM 01-0225-23-19-J



Rotation:
Handing:

RD
90